

STANDARD CONSTRUCTION

FRAME: Frame optional. See Page 2 for available options.

VBS: 0.465" deep hat channel, 0.063" thick (nominal)
6063-T5 aluminum alloy vertical blade support (VBS).

BLADE: 0.063" thick (nominal) extruded aluminum, 6063-T5 alloy.

FINISH: Mill

OPTIONS

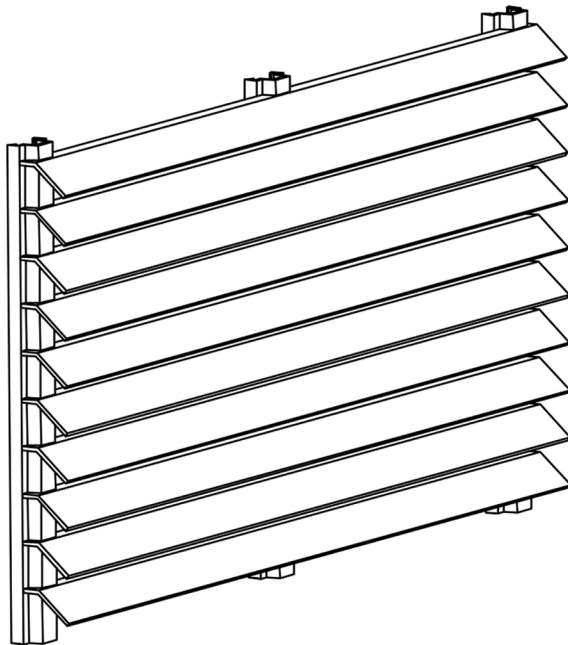
Finish - Anodized, Painted

NOTES

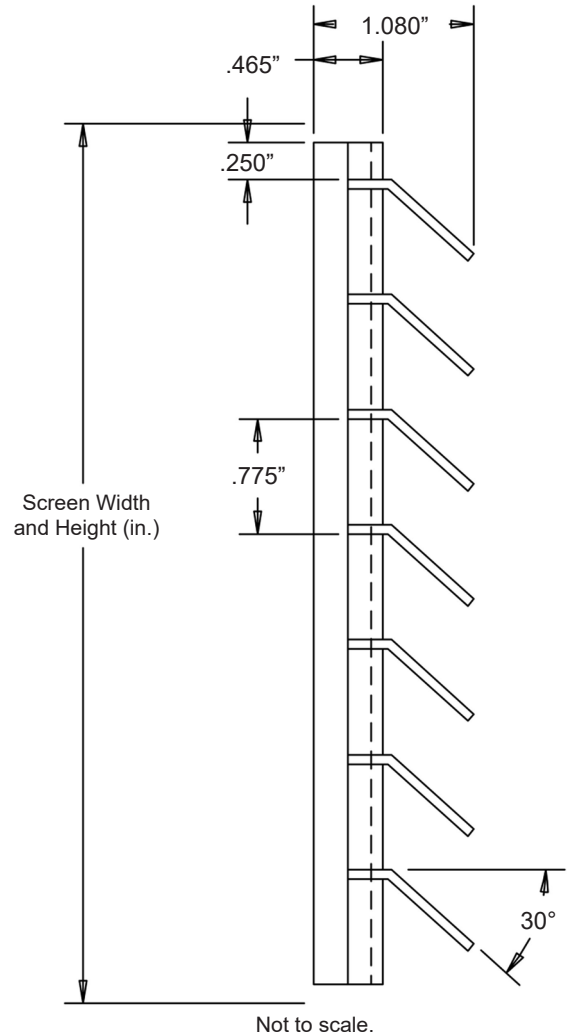
1. Nominal deductions will be made to the opening size for standard and optional frame construction.
2. Contact the factory for louver sizes larger than 96"W x 48"H.
3. Approximate shipping weight is 1.6 lbs./sq.ft.

LOUVER SIZES

Min Panel	Max Single Panel
12"W x 12"H	96"W x 48"H



Not to scale.



Item #	Qty	Width	Height	Width	Height	Mullion				Union Made
		Opening Size		Louver Size						
Arch. / Eng.:						EDR:	ECN:	Job:		
Contractor:										
Project:						Date:	DWN:	DWG:		

In the interest of product development, Louvers & Dampers reserves the right to make changes without notice.

FREE AREA DATA

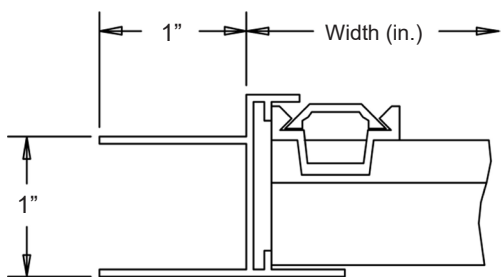
Free Area (sq.ft.)

		Width in. (mm)							
		12" (305)	24" (610)	36" (914)	48" (1219)	60" (1254)	72" (1829)	84" (2134)	96" (2438)
Height in. (mm)	12" (305)	.63 (0.059)	1.33 (0.124)	2.03 (0.189)	2.78 (0.258)	3.48 (0.323)	4.18 (0.388)	4.88 (0.453)	5.63 (0.523)
	24" (610)	1.29 (0.120)	2.72 (0.253)	4.16 (0.386)	5.70 (0.529)	7.13 (0.662)	8.57 (0.796)	10.00 (0.929)	11.55 (1.073)
	36" (914)	1.94 (0.180)	4.09 (0.380)	6.25 (0.581)	8.57 (0.796)	10.73 (0.997)	12.88 (1.197)	15.04 (1.397)	17.36 (1.613)
	48" (1219)	2.60 (0.242)	5.49 (0.510)	8.38 (0.779)	11.50 (1.068)	14.39 (1.337)	17.28 (1.605)	20.12 (1.869)	23.28 (2.163)

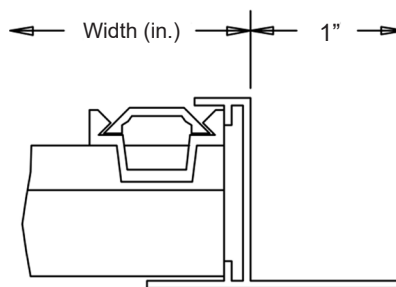
Free Area (% Free Area)

		Width in. (mm)							
		12" (305)	24" (610)	36" (914)	48" (1219)	60" (1254)	72" (1829)	84" (2134)	96" (2438)
Height in. (mm)	12" (305)	63.00	66.50	67.67	69.50	69.60	69.67	69.71	70.38
	24" (610)	64.50	68.00	69.33	71.25	71.30	71.42	71.43	72.19
	36" (914)	64.67	68.17	69.44	71.42	71.53	71.56	71.62	72.33
	48" (1219)	65.00	68.63	69.83	71.88	71.95	72.00	71.86	72.75

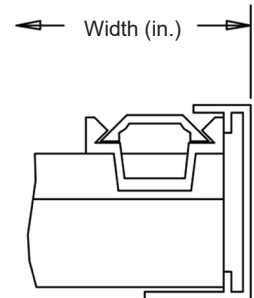
FRAME OPTIONS



Glazing Frame
(Optional)



Flanged Frame
(Optional)



Channel Frame
(Optional)